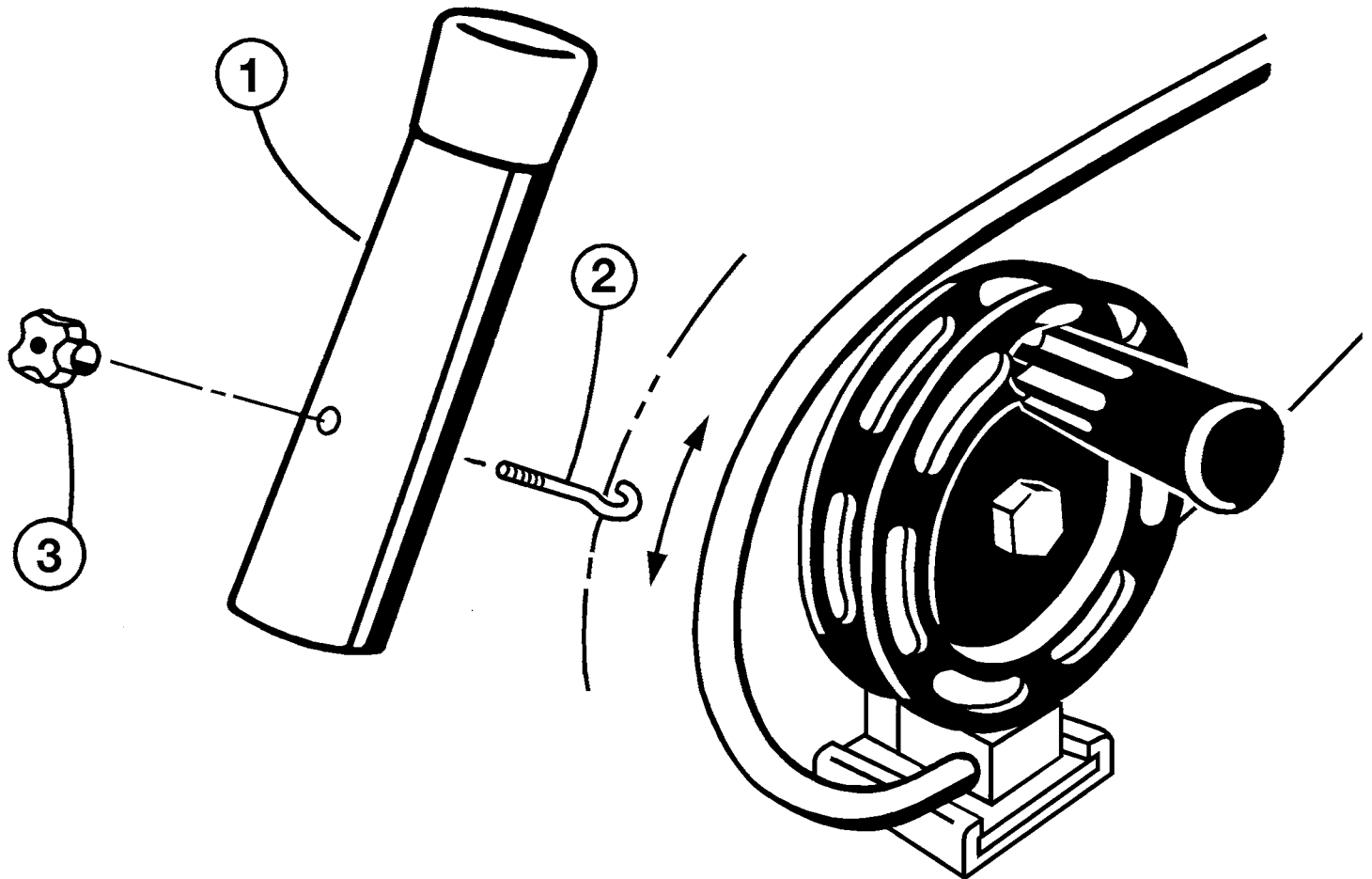




Clamp-On Rod Holder



Parts List RH00409

Detail No.	Description	Qty.	Order By Part No.
1	Tube & Cap	1	51045
2	Rod Hook	1	2501
3	Knob	1	51172

Rev. No. 2 Revised: 1/4/16 By: PRL

Mounting Instructions:

1. Slide eye hook around J-Rod.
2. Slide the rod holder tube over the eye hook.
3. Start the knob on the hook.
4. Tighten the knob after adjusting your rod holder to the proper angle.

Note: This rod holder fits all J-Rod downrigger booms from 1/2 inch to 5/8 inch.